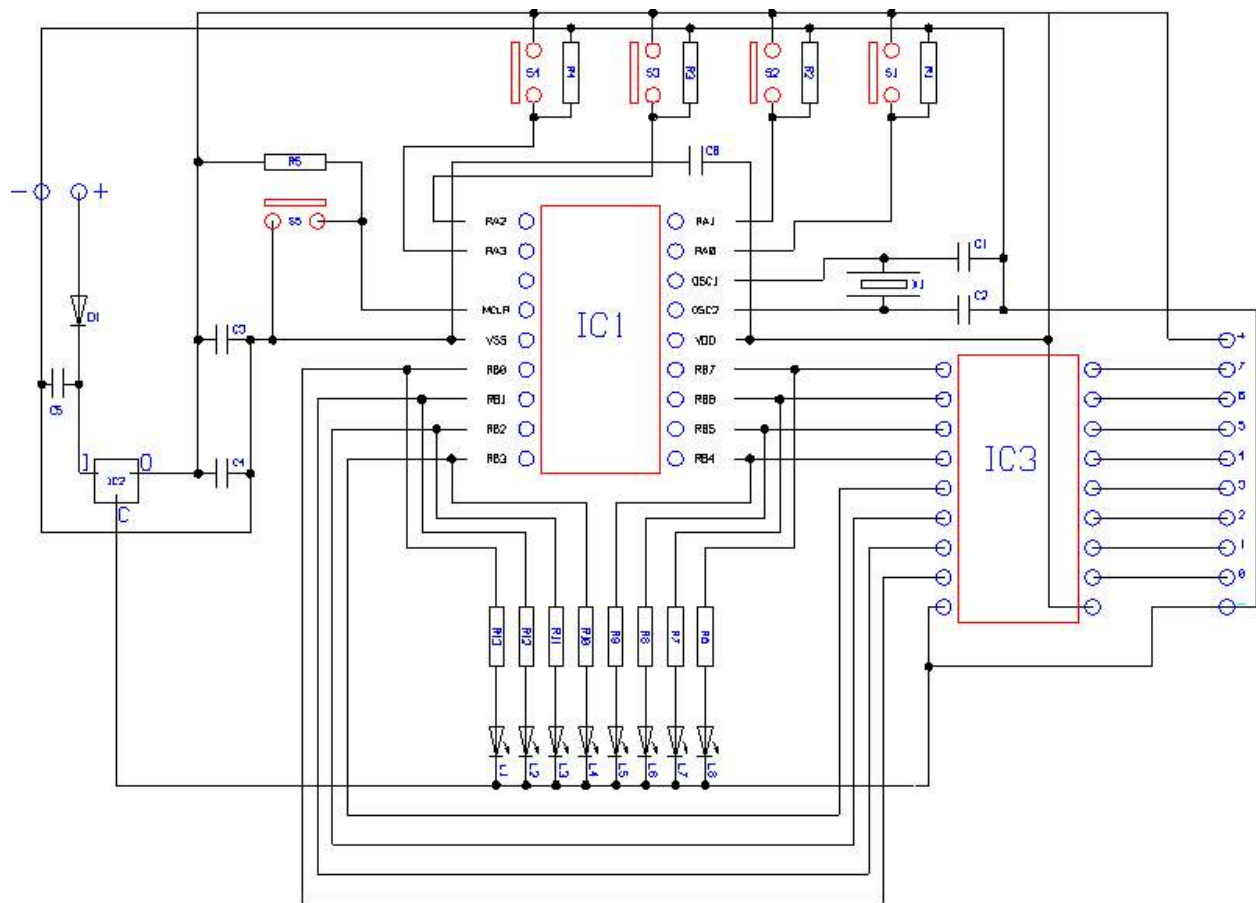
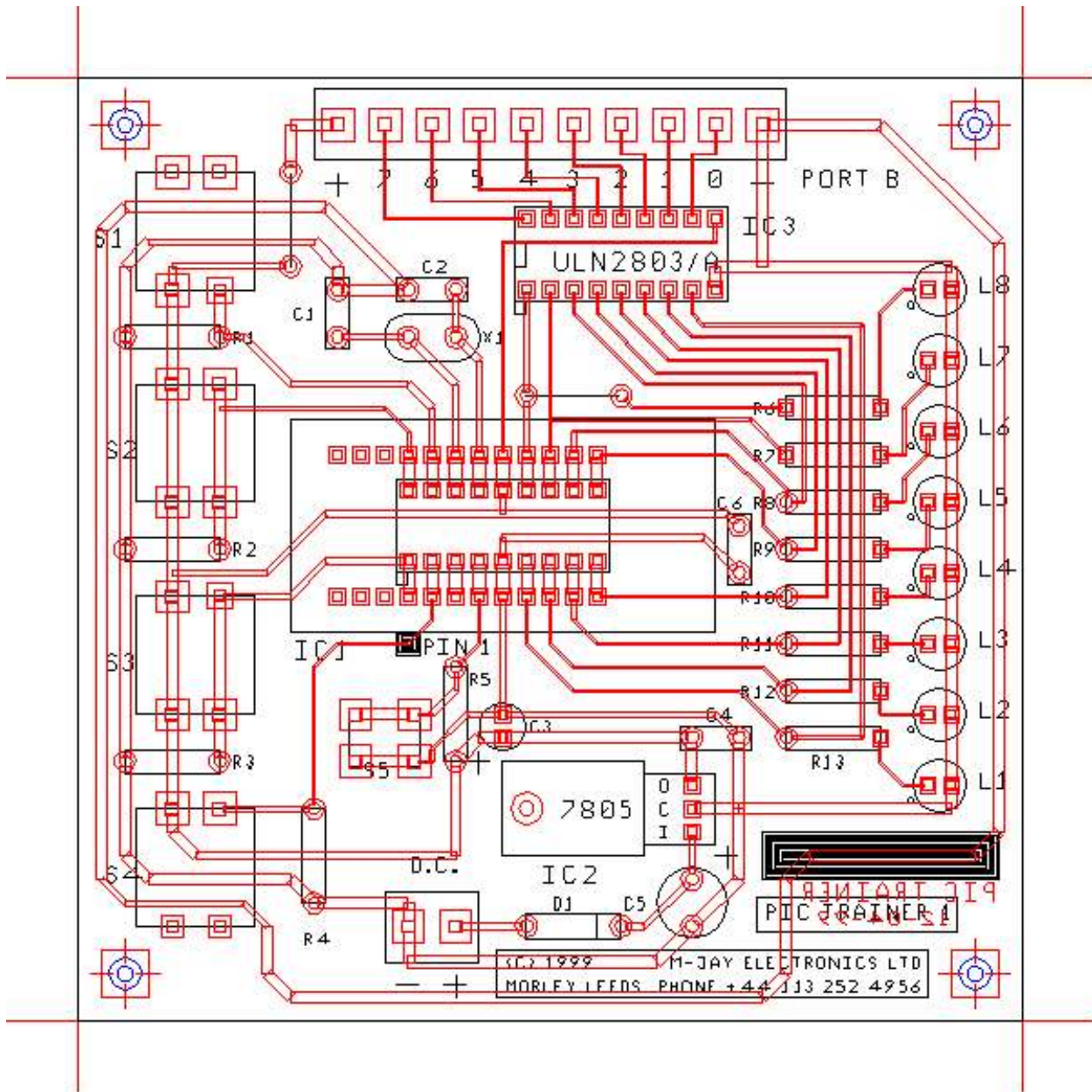


# PIC Project Boards

## Project Board No. 1





M-Jay Electronics Limited, Albion Mills, Church Street, Morley, Leeds. LS27 8LY.  
 Phone +44(0) 113 252 4956, Fax +44(0) 113 252 5542 or [e-mail](mailto:sales@m-jay.co.uk) to [sales@m-jay.co.uk](mailto:sales@m-jay.co.uk)

For information on how to program PICs you should read the book  
["The Engineers Guide to Programming PICs by John Varley"](#)

Return to the m-jay electronics [home page](#) or read our [newsletter](#)