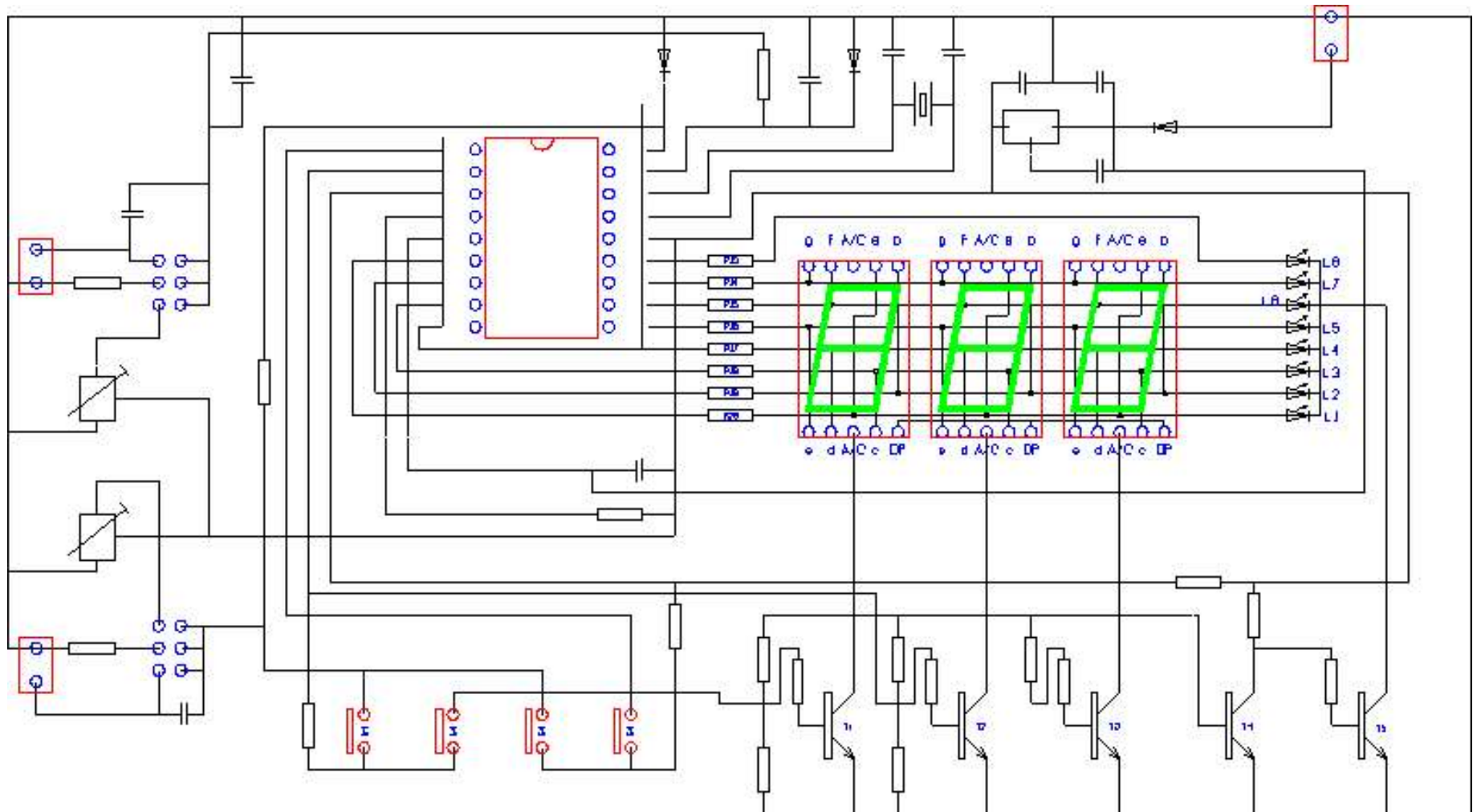
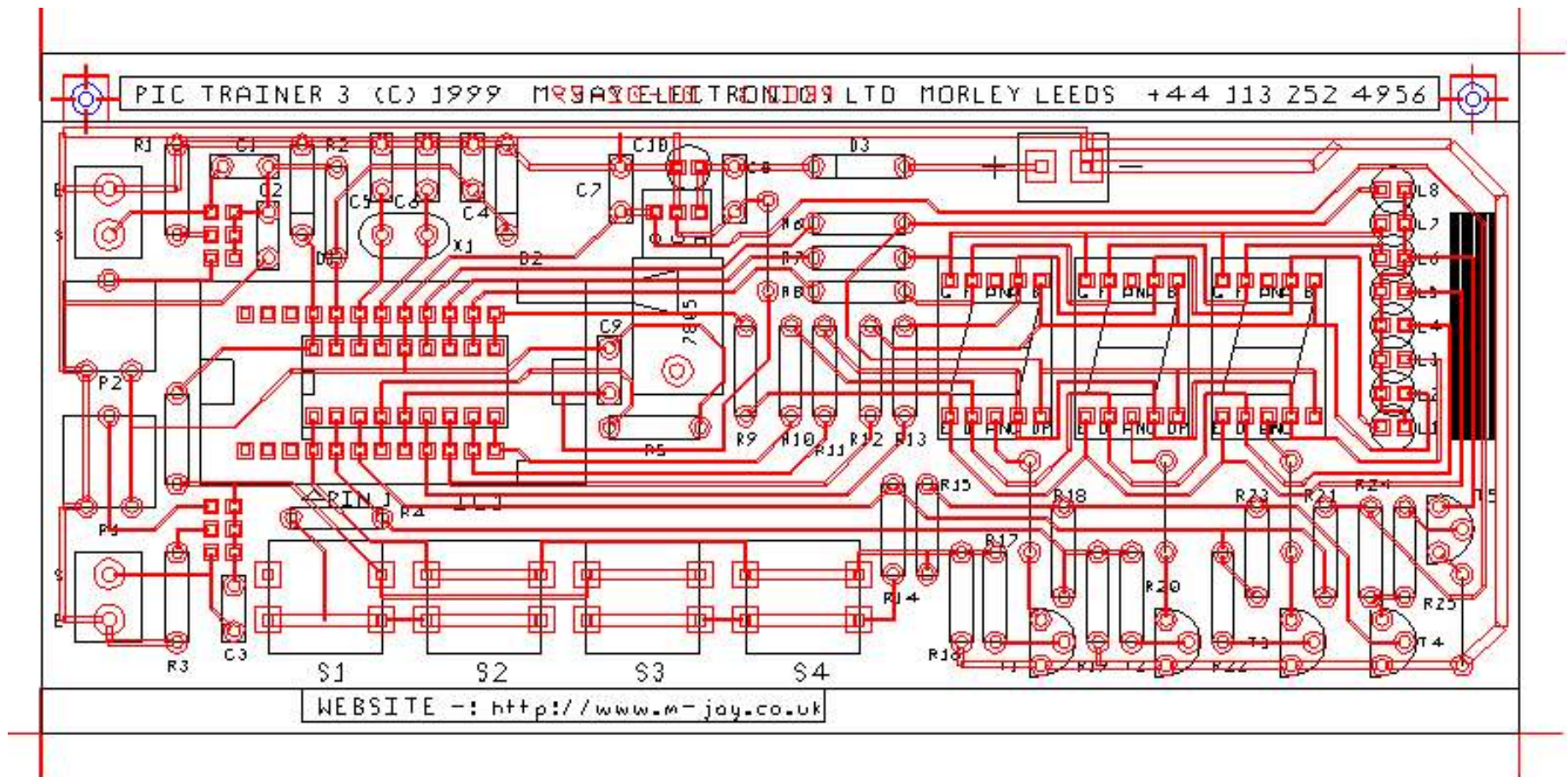


PIC Project Boards

Project Board No. 3





The Project Boards can be obtained from:

M-Jay Electronics Limited, Albion Mills, Church Street, Morley, Leeds. LS27 8LY.
Phone +44(0) 113 252 4956, Fax +44(0) 113 252 5542 or [e-mail](mailto:sales@m-jay.co.uk) to sales@m-jay.co.uk

For information on how to program PICs you should read the book
["The Engineers Guide to Programming PICs by John Varley"](#)